

MAD Ltd

Topper Range of Pan & Tilt Heads

User Manual

Contents	Page
General Information	1
Items Supplied	1
Variants	1
Fitting a Housing	2
Mounting a Topper	3
Safety Precautions	4
Control Connections	4
Setting up a Topper	7

Metham Aviation Design Limited station Approach, Four Marks, Alton. Hants. GU34 5HN
Tel +44 (0) 1420 565618. Fax +44 (0) 1420 565628

General Information

The Topper range of Pan & Tilt Heads consist of a series of compact, externally robust, and aesthetically designed units which have been fully weather and dust proofed to IP 68 rating.

Each unit in the range offers both sidemount and over the top mount options as standard. Load capabilities are 25Kg sidemount, and 16Kg over the top mount. (@ 12 degs/sec. This reduces to 8Kg with 18 degs/sec tilt speed) By incorporating an advanced body design and externally activated limit switches, the Topper Pan & Tilt heads provide a robust and stable mobile camera platform for use in most CCTV applications.

The installing and setting up of these units has been made extremely simple by virtue of their innovative design and construction.

Two basic versions are provided, an AC model available in various voltages, and a DC model, which provides a variable speed capability. A selection of gearboxes with alternative gear ratios is also available for each version. Pre-set position potentiometers are available as an option for all versions of the Topper range of Pan & Tilt Heads. Also available is a continuous rotation version of all models.

Items Supplied

Control Connectors
Copy of this Manual

Variants

AC Models:

24 Volts & 230 Volts

Pan Speeds (Degs/sec)

3, 6, & 12

Tilt Speeds (Degs/sec)

3 & 6

DC Models:

12 Volts & 24 Volts

Pan Speeds (Degs/sec)

32, 48, & 58

Tilt Speeds (Degs/sec)

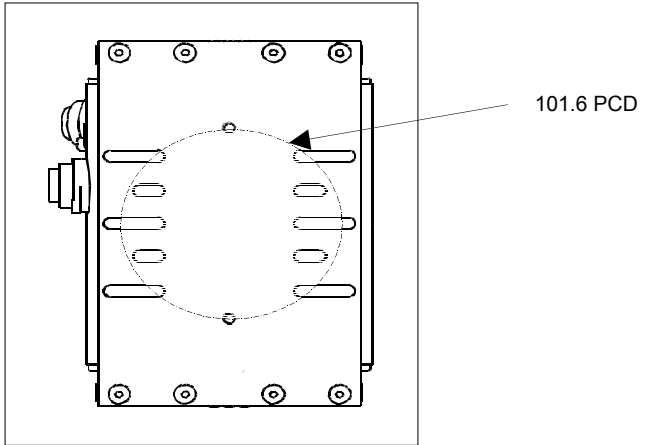
12 & 18

Sidemount or Over the top mount, Pre-set positioning & Colour Options are available on all models.

Fitting a Housing

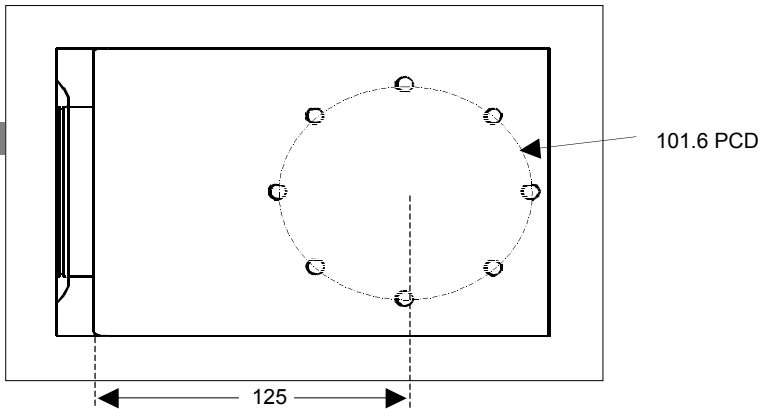
The camera mounting platform is provided with both mounting holes and slots on the over the top version. All holes and slots are to suit M6 bolts. The arrangement of holes and slots are shown below.

Over The Top Mount



The camera mounting platform for sidemount consists of M6 clearance holes only. The arrangement of these holes are shown below

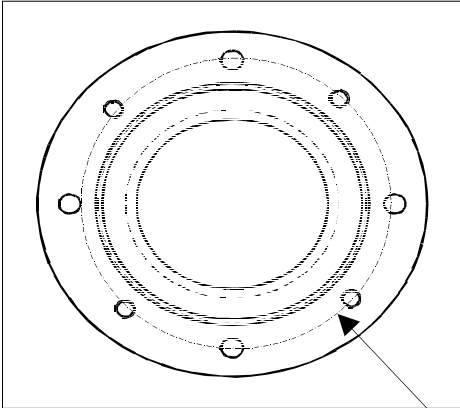
Sidemount



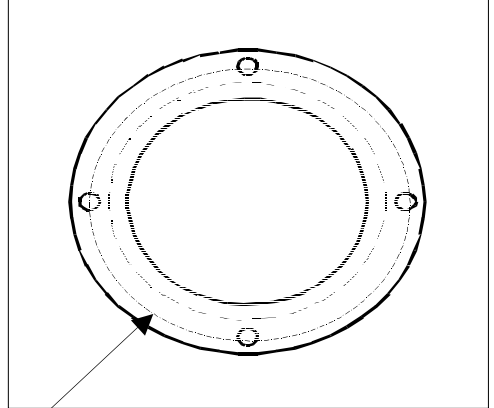
Mounting A Topper

The Topper range of Pan & Tilt heads has a base fixing that requires 4 x M6 bolts and washers. These fixings are on a 101.6mm PCD as shown below

Standard Unit



Continuous Rotation Unit



101.6mm PCD

When mounting a Topper Pan & Tilt unit, additional considerations are required. A fully loaded pan & tilt camera assembly may weigh up to or above 25Kg. Additional allowances may be required for adverse weather conditions such as ice & snow and high winds. Careful consideration must therefore be made to the location of the camera position.

Once the camera location has been established, a suitable bracket of sufficient load capacity and rigidity is required.

The surface of the camera location must be in first condition and suitable for the purpose, with no crumbling mortar or brick. The mounting bracket should be attached to the mounting position with suitable heavy duty rawl bolts.

The size of the camera head, and in particular the camera housing must be given sufficient clearances to ensure no obstructions occur. The motor and gearbox assemblies used in the Topper range are designed to be "stalled", but continuous abuse will cause damage.

The pre-sets are centered before being shipped. The base mount on both heads allow unit to be centered on field of view before being finally clamped.

Safety Precautions

All persons installing and maintaining this equipment should be suitably qualified and work to national and local standards and codes of practice

The equipment is subject to remote control and may be operated at any time. Persons working on the equipment should take appropriate precautions to ensure that any unexpected movement does not occur as this could lead to injury.

In locations or areas where the risk of Injury occurs, or any part of the assembly may become detached or fall for any reason, a strong safety chain or wire hawser should be attached between the equipment and the mounting surface. At all times, normal safety precautions must be employed.

Hazardous voltages are present in this equipment and may also be present in any associated items.

Cabling of the correct type as specified in this manual, and as by national and local standards and codes of practice. Cables should be checked for wear at 6 monthly intervals and replaced as necessary.

All fixings and fastenings must be thoroughly checked for tightness one month following installation, and thereafter at regular 6 monthly intervals.

Control Connections

The Topper range are available in both pre-set and non pre-set versions. The non pre-set AC versions have a single 7 pin connector located at the rear of the body. Pre-set AC versions have an additional 4 way connector. If a heater is required this is increased to a 7 way connector.

The DC version has two 7 way connectors at the rear of the body for all applications.

The continuous rotation version has an 18 way & a 9 way connector on the base of the unit and two 7 way connectors on the head itself.

The connectors must be assembled correctly to ensure that there is no water ingress through the connectors. This is very important as this can cause extreme problems within the pan and tilt unit.

Connections For a DC head with braking

Tilt Upper Chassis Plug (7 Pin)

Function	Pin No
Tilt Up +ve	1
Tilt Down return	2
#Tilt Brake +ve 12v or 24v	3
Tilt Brake return	4
N/C	5
N/C	6
Tilt pot wiper	7

Pan Lower Chassis Plug (7 Pin)

Function	Pin No
Pan Right +ve	1
Pan Left return	2
#Pan Brake +ve (12v or 24v)	3
Pan Brake return	4
Pot Supply 0ve	5
Pot Supply +ve	6
Pan pot wiper	7

12volt supply required for 616, 24volt supply required for 615.

Connections For an AC head

7 Pin Connector (Lower)

Function	Pin No
Neutral	1
Pan Right	2
Pan Left	3
Tilt Up	4
Tilt Down	5
N/C	6
Earth	7

4 Pin Connector (Upper)

Function	Pin No
Pot Supply +ve	1
Pot Supply 0ve	2
Pan pot wiper	3
Tilt pot wiper	4

Connections For an AC head with heater

7 Pin Chassis Plug (Lower)

Function	Pin No
Neutral	1
Pan Right	2
Pan Left	3
Tilt Up	4
Tilt Down	5
N/C	6
Earth	7

7 Pin Chassis Socket (Upper)

Function	Pin No
Pot Supply +ve	1
Pot Supply 0ve	2
Pan pot wiper	3
Tilt pot wiper	4
Heater	5
Heater	6
N/C	7

In common with all modern pan & tilt heads employing regenerative braking it is **ESSENTIAL** that the polarity of the braking circuits are wired in sympathy with the motor circuits. Failure to do so will result in bending the limit stop pin

Connections for a continuous rotation DC head with braking

Base Section (Static)

9 Pin Plug (Upper)

Function	Pin No
Pan Right +ve	1
Pan Left return	2
#Pan Brake +ve (24v or 12v)	3
Pan Brake return	4
Tilt Up +ve	5
Tilt Down return	6
#Tilt Brake +ve (24v or 12v)	7
Tilt Brake return	8
N/C	9

24v supply required for 615
12v supply required for 616

18 Pin Plug (Lower)

Function	Pin No
Video	1
0 Volts	2
Pan pre-set signal	3
Tilt pre-set signal	4
Zoom pre-set signal	5
Focus pre-set signal	6
N/C	7
Zoom Drive +ve	8
Focus Drive +ve	9
Iris Drive +ve	10
Lens 0 Volts	11
Pre-set return 0 Volts	12
User 1	13
User 2	14
User 3	15
User 4	16
Pre-set supply 5Volts *	17
N/C	18

Head Section (Rotating)

Upper Connector (Plug)

Function	Pin No
Video	1
0 Volts	2
Zoom pre-set signal	3
Focus pre-set signal	4
Pre-set supply +ve Volts	5
Lens 0 Volts	6
Pre-set return 0 Volts	7

Lower Connector (Socket)

Function	Pin No
Zoom Drive +ve	1
Focus Drive +ve	2
Iris Drive +ve	3
User 1	4
User 2	5
User 3	6
User 4	7

* Smart sensor requires 4.5 to 5.5Volts. More than 6volts will result in damage to smart sensor and will require return to workshop for replacement

Setting Up A Topper

For the purposes of identification, the rear of the Pan & Tilt head is the face containing the connectors. When viewed from the top, anti-clockwise movement is left, and clockwise movement is right.

The Topper Pan & Tilt Head is fitted with external pan and tilt limit stop cams (continuous rotation is on the tilt only). These cams actuate an internal micro switch via a rocking spigot. This systems provides an accurate and simple method of limit stops which are extremely easy to set. It is not necessary to power down or gain access to the internal mechanism of the pan & tilt head to set up the limit stops

To set both pan and tilt limit stops, the following procedures need to be followed.

To set the panning angle of travel (Non continuous rotation)

Drive the pan & tilt head to the extreme right hand position required. Release the right stop cam clamp screw. Slide the stop until it engages and actuates the micro switch drive spigot. Tighten the stop clamp screw, and ensure the spigot is held in its actuated position. Now drive the pan & tilt unit to the extreme left hand position required. Release the left stop cam clamp screw. Slide the left stop until it engages and actuates the micro switch drive spigot. Tighten the stop clamp screw, and ensure the spigot is held in its actuated position. Drive the pan & tilt unit to the extreme limits of travel in both directions and check operation of the limit switches. Re-adjust if required.

To set the tilt angle of travel (all models)

Follow the same procedure as used to set the pan stops, but substitute function right to up and left to down.