

# MAD Ltd

## Mitre Environmental Housing (900/950)

### User Manual

<b>Contents</b>	<b>Page</b>
General Information	1
Items Supplied	1
Variants	1
Compatibility with other products	2
Mounting the Housing assembly	2
Mounting the Camera/Lens assembly	3
Safety Precautions	4
Control Connections	5
Safety Strap	6

Metham Aviation Design Limited Station Approach, Four Marks, Alton. Hants. GU34 5HN

Tel +44 (0) 1420 565618. Fax +44 (0) 1420 565628

## General Information

The Mitre Camera Housings are constructed from aluminum, providing a high quality, lightweight, durable enclosure for CCTV cameras for most applications. The Mitre range are suitable for exterior use with a weatherproof rating of IP66.

The Mitre range have a heater fitted as standard and have an option of an internal wiper assembly. This allows the housing to be tilted down a full 90 degrees without the wiper box fouling on the continuous rotation column tube or on any column spacer that has been fitted.

The Mitre is fitted with an adjustable camera mounting plate which will suit most camera/lens assemblies.

The Mitre is fitted with two 20mm glands as standard for the cable entry, and also has a 25mm hole for an optional further gland should this be required. Inside the Mitre has a 12 way terminal block as standard, and also has an option of a further 12 way terminal block on spacers. The holes for this optional terminal block are drilled into the housing as standard.

## Items Supplied

- 1 x Copy of this Manual
- 4 x M6x25 stainless steel hexagon head screws (for mounting)
- 4 x M6 stainless steel washers (for above)
- 1 x 1/4"x1/2" stainless steel hexagon head screw (for camera plate)
- 1 x 1/4" stainless steel washer

## Variants

24VAC

110VAC

230VAC    **All variants are for wiper and heater voltages**

12Vdc

24Vdc

## Compatibility with other MAD products

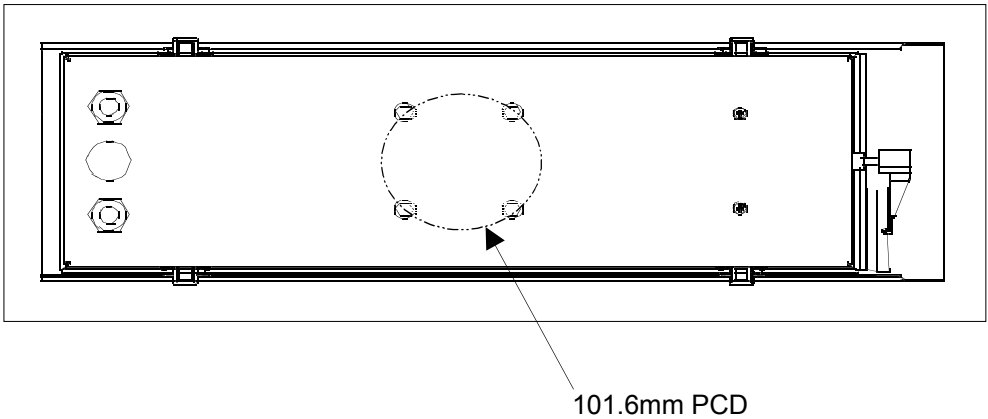
Topper Pan & Tilt Units

720 Wall Bracket with Pan & Tilt Adjustable mounting

## Mounting the Camera Housing Assembly

The Mitre housing has 4 holes tapped M6 on a 101.6mm PCD.

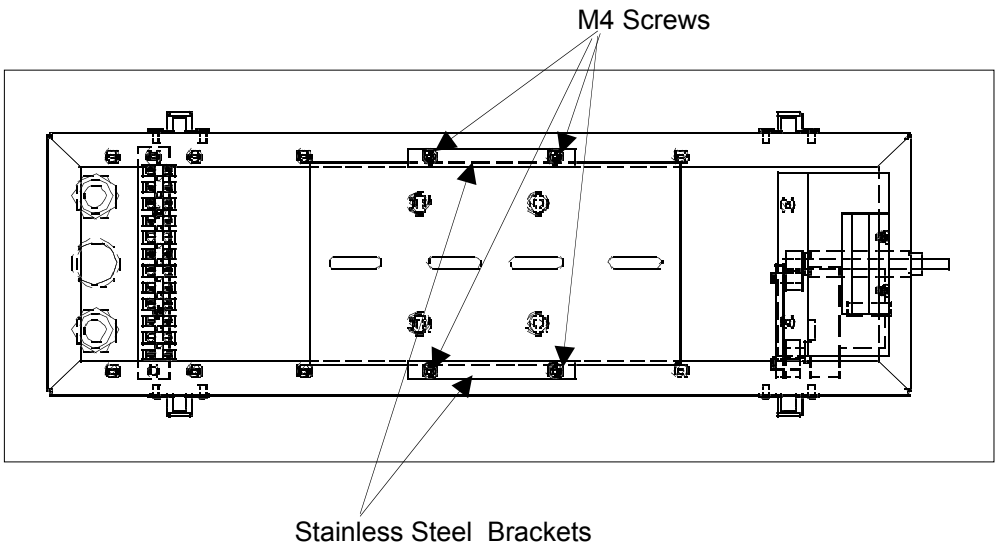
The arrangement of the holes are shown below.



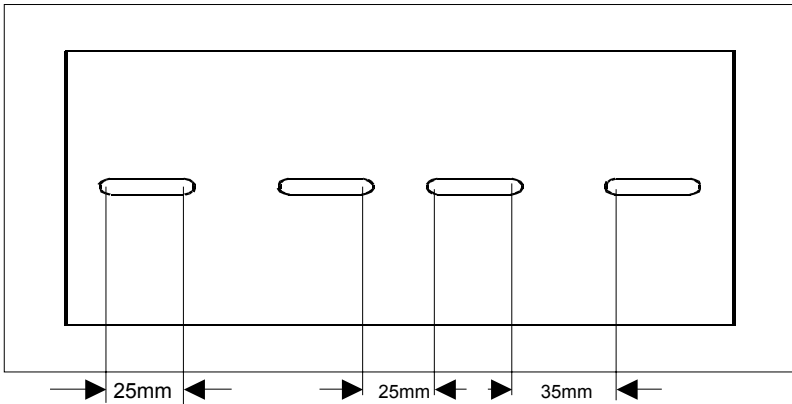
To mount the housing to a bracket or pan and tilt unit, place the M6 bolts through the mounting holes of the bracket or pan and tilt unit and screw into the tapped holes in the base of the housing until secure.

## Mounting the Camera and Lens Assembly

The mitre housing is fitted with an adjustable/removable camera mounting plate. This is held in place by two stainless steel brackets (one at each side.) To remove the camera mounting plate, unsew both M4 screws on one of the brackets and loosen the screws on the other bracket. This enables the camera mounting plate to be removed and the camera and lens assembly to be fitted. (See diagram below for details)



The Camera plate itself also has a four slots to accommodate different camera/lens combinations. All of these slots are 6.5mm wide, 25mm long. The spacings are shown on page 4



### Safety Precautions

All persons installing and maintaining this equipment should be suitably qualified and work to national and local standards and codes of practice

The equipment is subject to remote control and may be operated at any time. Persons working on the equipment should take appropriate precautions to ensure that any unexpected movement does not occur as this could lead to injury.

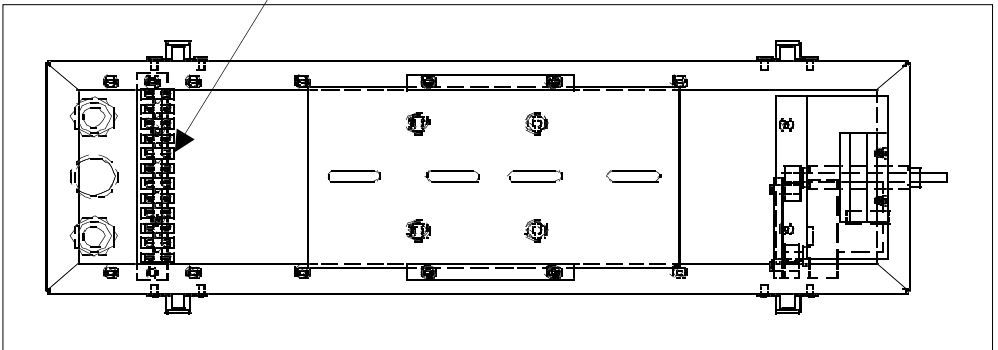
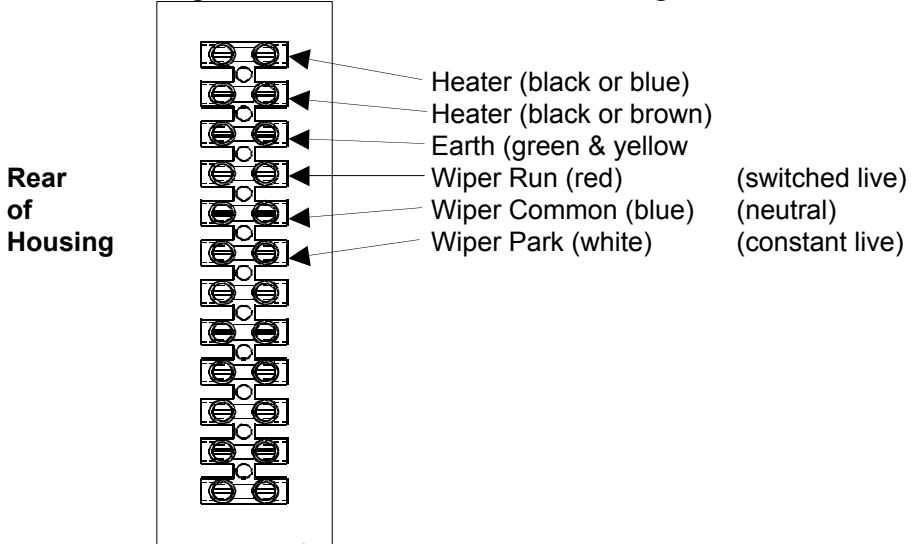
In locations or areas where the risk of injury occurs, or any part of the assembly may become detached or fall for any reason, a strong safety chain or wire hawser should be attached between the equipment and the mounting surface. At all times, normal safety precautions must be employed.

Hazardous voltages are present in this equipment and may also be present in any associated items.

All fixings and fastenings must be thoroughly checked for tightness one month following installation, and thereafter at regular 6 monthly intervals.

## Control Connections

### Large View of Terminal Block in Housing



## Safety Strap

The Mitre housing is fitted with a safety strap as standard as shown in the drawing below. It is screwed onto the base section of the housing and riveted to the hood/sunshield assembly so that the hood/sunshield can not fall to the floor. It is vitally important when reassembling the hood/sunshield assembly to the base, that the safety strap is not trapped in the seal between the two items. This will allow water ingress at this point.

